

CT-302S9 Controller Product Specifications

TNC Scooters
Scooter Sales and Service

CT-302S9 - Technical Parameters

Rated Voltage	24 Volts
Rated Current	10.5 Amps
Rated Motor	≤ 250 Watts
Rated Charger	≤ 3.0 Amps
Conversion Efficiency	95 %
Static Current	10mA
Under Voltage Protection	20.5 Volts
Speed Control	Available <i>(Turn or Thumb Throttle)</i>
Brake Indicator	Available
Power Indicator	Available
Dimensions	88mm x 50mm x 35mm

CT-302S9 - Performance & Features

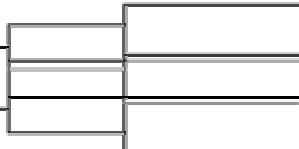
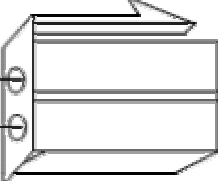
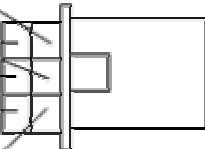

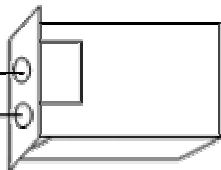
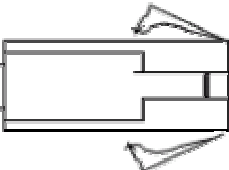

Current Limiting	This prevents the motor current from exceeding the specified value avoiding damage to the motor and the controller due to over-current conditions.
Under Voltage Protection	When battery voltage falls to specified value, the controller cuts off battery output preventing over-discharge and extending battery life. <i>(The cutoff value is approximately 20.5 Volts, but varies drastically from controller to controller.)</i>
Over Speed Prevention While Charging	When charging, the controller renders the throttle temporarily inoperable, preventing mistaken manipulation. <i>(This function is not available in some applications.)</i>
Power Cut Off During Braking	When underway the brake switch signals controller to cut battery output.

CT-302S9 Controller Product Connections

TNC Scooters

Scooter Sales and Service

CT-302S9 – Installation & Wiring

<p>Power Connector Connector Plug: DJ7022-6.3-11</p>	<p>Positive pole of power source (Red) ————</p> <p>(Black) ————</p> <p>Negative pole of power source</p> 
<p>Motor Connector Connector Plug: DJ7022-6.3-21</p>	<p>Negative pole of motor (Brown) ————</p> <p>(Blue) ————</p> <p>Positive pole of motor</p> 
<p>Six Wire Connector Connector Plug: DJ7061A-2.8-21</p>	<p>+4.3V (red) ————</p> <p>Earth (Black) ————</p> <p>Brake terminal 1 (orange) ————</p> <p>Brake terminal 2 (violet) ————</p> <p>Speed indication (grey) ————</p> <p>speed adjusting signal (green) ————</p> 
<p>Lock Connector Connector Plug: DJ7031A-2.8-11</p>	<p>White ————</p> <p>Yellow ————</p> <p>5A fuse</p> <p>To lock</p> 
<p>Charger Connector Connector Plug: DJ7021A-2.8-21</p>	<p>Red+ ————</p> <p>Black- ————</p> <p>To charger</p> 
<p>Power Indicator Connector Connector Plug: EL-2P Male Plug</p>	<p>Blue + ————</p> <p>Brown - ————</p> 
<p>Brake Indicator Connector Connector Plug: DJ7021A-2.8-11</p>	<p>Red + ————</p> <p>Black - ————</p> <p>To brake indicator</p> 

NOTES:

1. Make the Battery Connection your last connection.
2. Wire coming from battery should be fuse protected.